

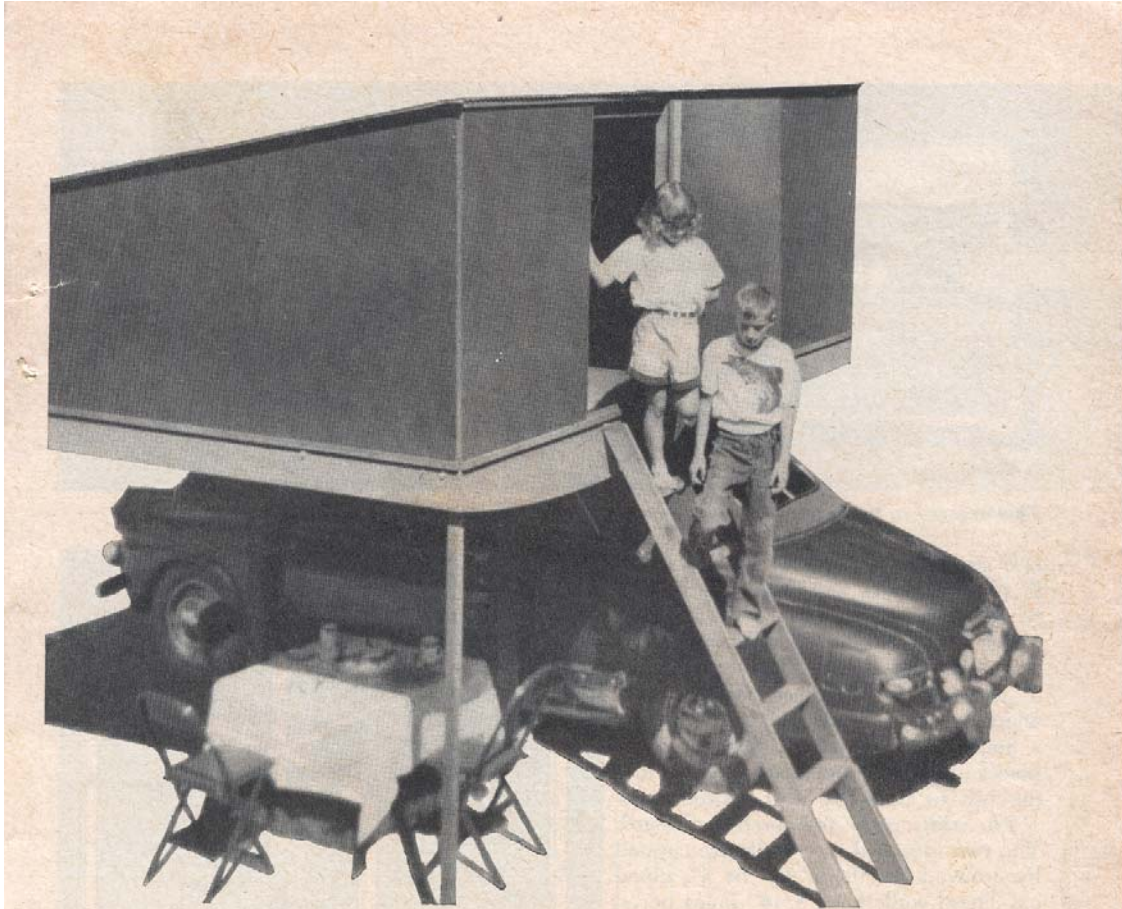
***More Fun For Your Money:
How to Build a Folding Bedroom***

***More Fun For Your Money:
How to Build a Folding Bedroom***
by Joy LaBell

Popular Science
May 1954

*More Fun For Your Money:
How to Build a Folding Bedroom* by Joy LaBell

FOR REFERENCE ONLY, NOT TO BE USED TO BUILD A TRAILER.



**MORE FUN FOR
YOUR MONEY:**

How to Build a Folding Bedroom

By Joy LaBell

THE four-o'clock hunt for a motel is not for us. When we go touring we carry our own skyroom on top of the car. Closed it looks like a huge old-fashioned trunk. Flip open the "lid," set up the solid walls, bolt on the aluminum roof—and in 20 minutes we have a real

8'-by-12' bedroom with two full-size foam-rubber mattresses. The open "lid" shelters a patio for dining or—with curtains drawn—dressing.

The whole skyroom took about \$75 worth of materials. (It saved us more than that in just one vacation.) It can be taken off by loosening a few bolts.

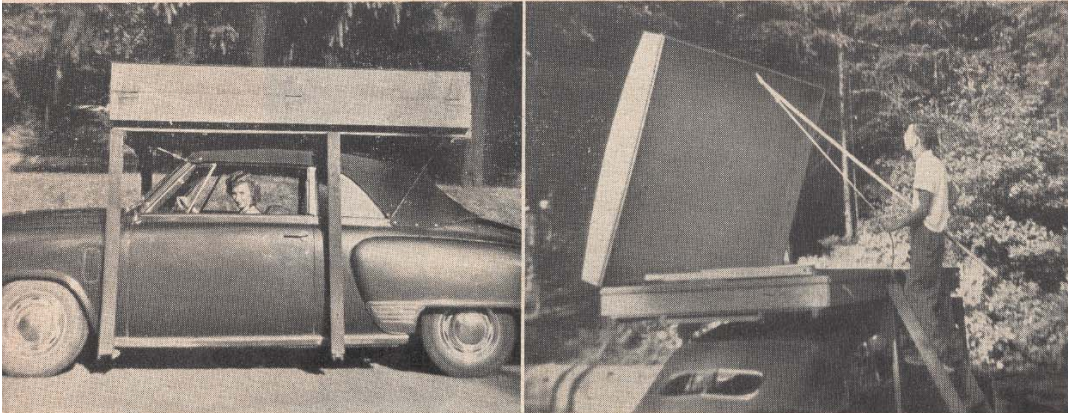
The box, which forms the floor and

MAY 1954 169

FOR REFERENCE ONLY, NOT TO BE USED TO BUILD A TRAILER.

**More Fun For Your Money:
How to Build a Folding Bedroom** by Joy LaBell

FOR REFERENCE ONLY, NOT TO BE USED TO BUILD A TRAILER.



That overgrown suitcase a bedroom? Watch . . . Lid goes up and over with stick, pulley . . .

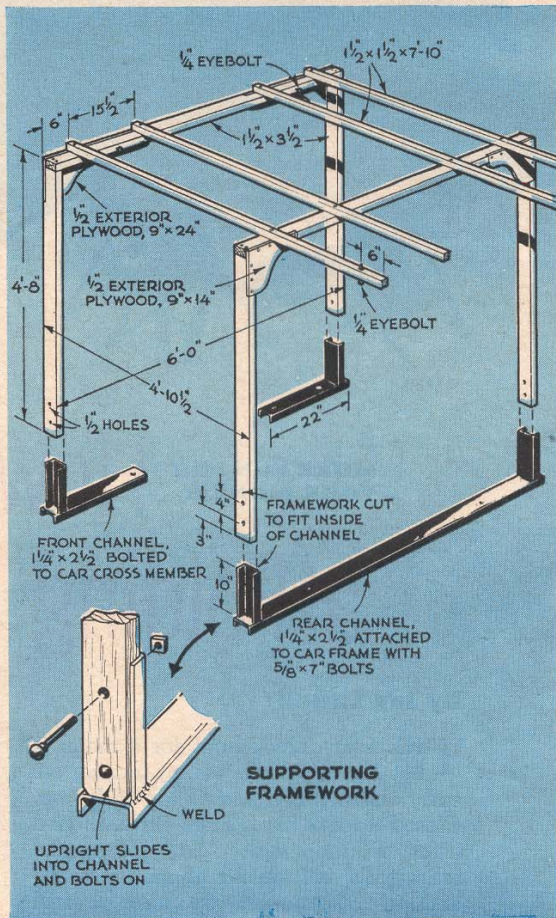
also stores everything for the road, has $\frac{1}{2}$ " plywood sides and ends with $\frac{3}{4}$ " plywood floors nailed to crosswise ribs. There are five $1\frac{1}{2}$ "-by- $1\frac{1}{2}$ " ribs in the bottom of the box. The top has seven $\frac{3}{4}$ "-by-3" ribs cut to make a curved box roof, which is covered with $\frac{3}{8}$ " hardboard.

Sockets $1\frac{1}{2}$ " square, built up from pieces of scrap $\frac{3}{4}$ " stock, are screwed into the box to take the wall corner posts.

The walls are $\frac{3}{8}$ " tempered hardboard. The two identical side walls are capped by grooved lengths of $1\frac{1}{2}$ " by $\frac{3}{4}$ ", glued on. These walls have $\frac{3}{16}$ " holes bored near the edges so that they can be bolted to the corner posts. The end walls are also capped with $1\frac{1}{2}$ "-by- $\frac{3}{4}$ " strips, which hold the bolts for fastening on the roof pieces. The corner posts are a permanent part of the end-wall panels.

The corner posts, 2" by 2", are slanted at the top to match the slant of the side walls and rabbeted at the bottom to fit into the sockets in the box. The door is simply an unframed piece of $\frac{3}{8}$ " hardboard with cabinet hinges and a hasp for a lock. A filler strip built up from $1\frac{1}{2}$ "-by- $\frac{3}{4}$ " stock is bolted to the adjacent corner posts to form a lintel over the door opening.

Supporting framework. Even though my car is a convertible, a fairly simple arrangement fastens the skyroom to it. The box is attached by bolting its crosswise ribs to the lengthwise ribs of the



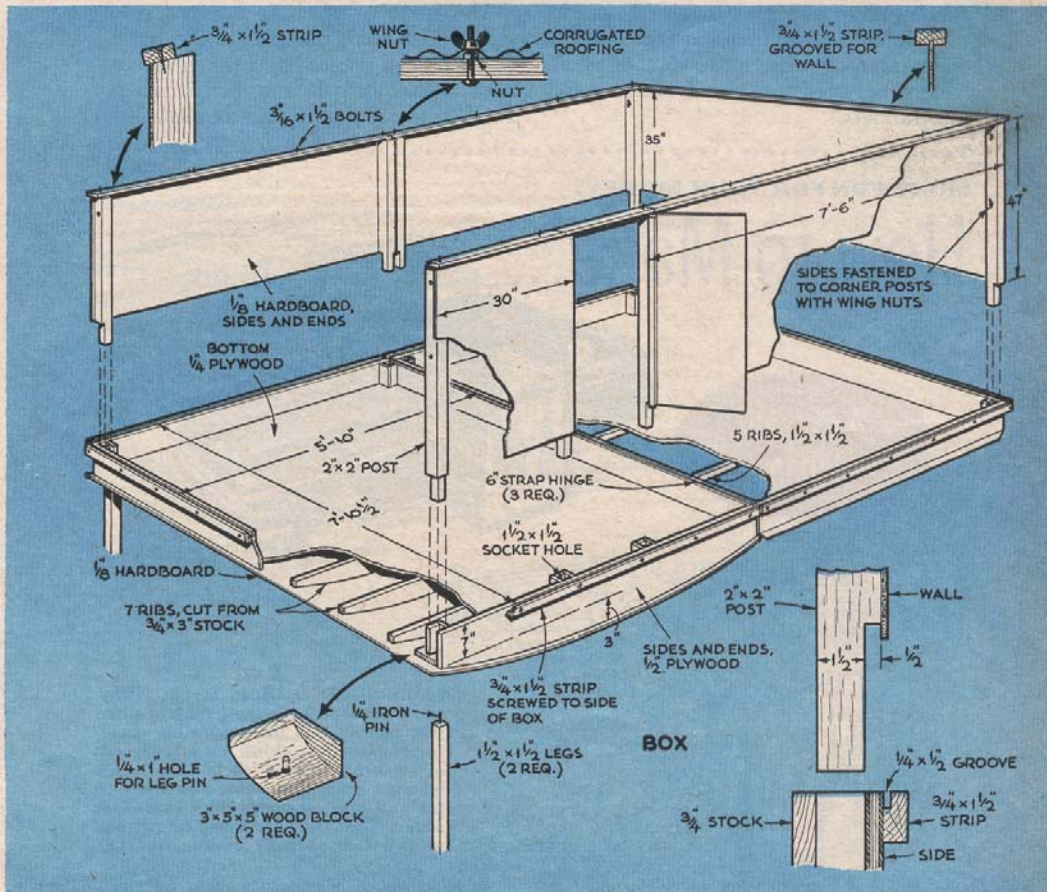
FOR REFERENCE ONLY, NOT TO BE USED TO BUILD A TRAILER.

**More Fun For Your Money:
How to Build a Folding Bedroom** by Joy LaBell

FOR REFERENCE ONLY, NOT TO BE USED TO BUILD A TRAILER.



Is gently lowered to rest on two slip-in legs. Walls are next. From stack in the box . . .



MAY 1954 171

FOR REFERENCE ONLY, NOT TO BE USED TO BUILD A TRAILER.

**More Fun For Your Money:
How to Build a Folding Bedroom** by Joy LaBell

FOR REFERENCE ONLY, NOT TO BE USED TO BUILD A TRAILER.

FOR REFERENCE ONLY, NOT TO BE USED TO BUILD A TRAILER.



They slip into grooves and sockets on rim. Bolted-together walls hold roof support . . .

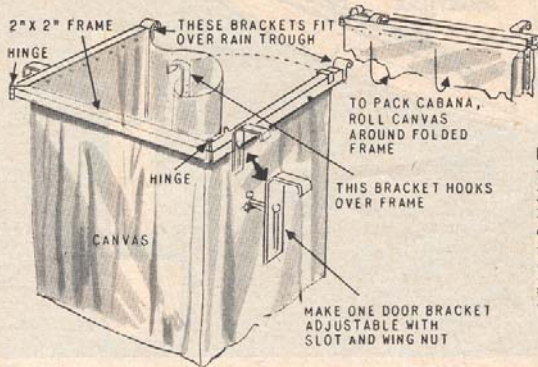
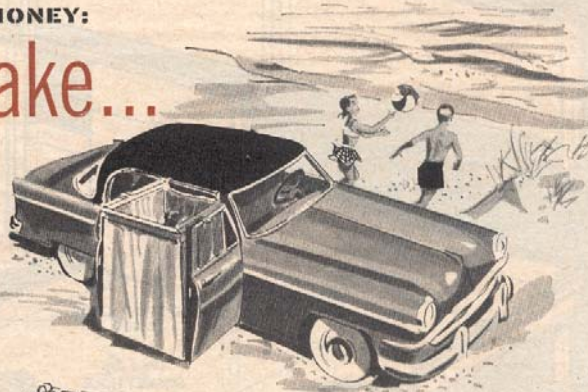
framework. These lengthwise ribs are in turn bolted to two inverted U's. The U's are reinforced with corner braces of $\frac{1}{2}$ " waterproof plywood, glued and screwed into rabbets.

The ends of the U's are cut to fit closely into short uprights of $2\frac{1}{2}$ "-by- $1\frac{1}{4}$ " steel channel, which are welded to horizontal channels bolted to the car chassis. I bolted the rear undercar channel to the

MORE FUN FOR YOUR MONEY:

How to Make...

A Carside Cabana

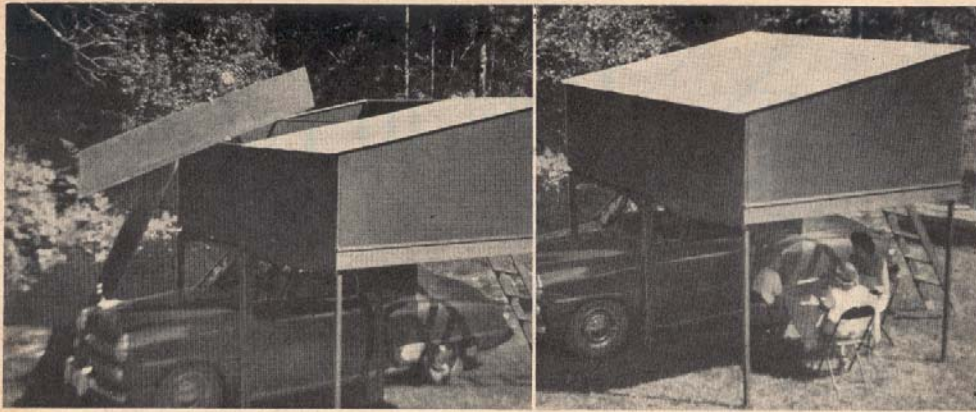


BATHING-SUIT CHANGES at out-of-the-way swim spots are no problem when you unfold this little portable dressing room. It's nothing but a few yards of awning canvas tacked to three wooden arms that hook over the gutter and opened doors of a four-door sedan. The same idea could be adapted to two-door cars by adding one leg.

**More Fun For Your Money:
How to Build a Folding Bedroom** by Joy LaBell

FOR REFERENCE ONLY, NOT TO BE USED TO BUILD A TRAILER.

FOR REFERENCE ONLY, NOT TO BE USED TO BUILD A TRAILER.



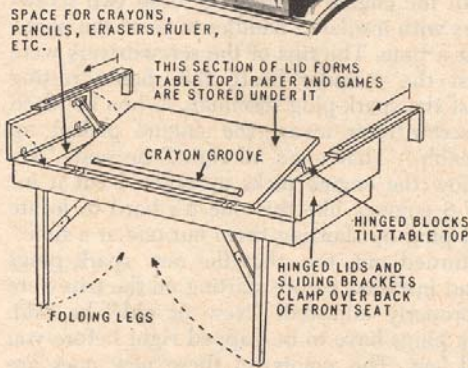
Made from sheets of corrugated aluminum. Complete with patio. What's for supper?

car frame, and the front undercar channel to a cross member behind the front wheels. Light steel cable tying the wooden U's to eyebolts in the car body makes the whole structure very rigid.

To support the opened "lid," 1½"-by-1½" legs tipped with ¼" steel pins fit into matching holes in corner blocks in the "lid." A simple ladder, homemade or bought, completes the job. END



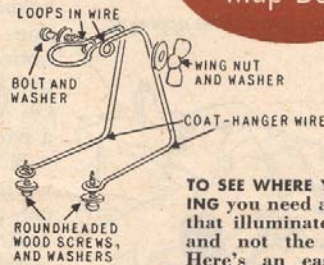
A Back-Seat Play Table



IT TAKES MORE THAN SCENERY to while away a long trip for youngsters. A fun kit, dimensioned for your car, stores varied amusements and, with legs open, provides work space.



A Lighted Map Board



TO SEE WHERE YOU'RE GOING you need a map light that illuminates the map and not the car floor. Here's an easy one: a piece of coat-hanger wire shaped to hold an ordinary flashlight over a clipboard. The flash slips out if you want it.

MAY 1954 173